

Tankless Water Heater EZ-Link™ System

Installation Instructions

The EZ-Link™ System is designed for use with the following models:

Type 1 (See page 1 and 2)			
* RTG2-42PV	* RTG-53 PV/X/DV	+ RTG-74 PV/X/DV	* RTGL74 PV/X/DV
* RUTG2-42PV	* RUTG-53 PV/X/DV	+ RUTG-74 PV/X/DV	* RUTGL74 PV/X/DV
* RMTG2-42PV	* RMTG-53 PV/X/DV	+ RMTG-74 PV/X/DV	* RMTGL74 PV/X/DV
* PTG2-42PV	* PTG-53 PV/X/DV	+ PTG-74 PV/X/DV	* ECO200 PV/X/DV
* GT-199PV/X/DV			
Type 2 (See page 3 and 4)			
* RTG-66 DV/X	* RTG-95 DV/X	* RTG-84 DV/X	* RTG-64 DV/X
* RUTG-66 DV/X	* RUTG-95 DV/X	* RUTG-84 DV/X	* RUTG-64 DV/X
* RMTG-66 DV/X	* RMTG95 DV/X	* RMTG84 DV/X	* RMTG64 DV/X
* ECO-180 DV/X	* ECO200 DV/X 3	* ECO180 DV/X 3	
*SCT200 DV/X	*SCT180 DV/X	*SCT150 DV/X	
*UTG-95DV	*UTG-84 DV	*UTG-66DV	

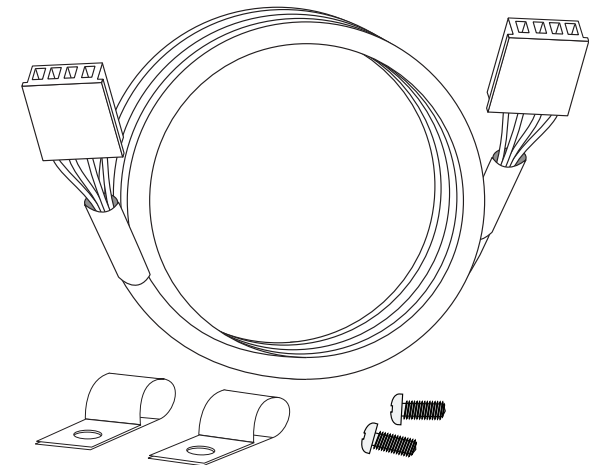
* EZ-link is used with all models.

+ EZ-link is used only with models that have a suffix of "-1" or higher.

It is very important that all persons who are expected to install, operate or adjust this EZ-Link™ system and/or water heater read these instructions along with those instructions provided with the tankless water heater.



Recognize this symbol as an indication of Important Safety Information!



This kit contains:

1 - EZ-Link™ Cable, 2 - Cable Clamps, and 2 - Screws

Refer to the Use and Care Manual provided with your tankless water heater for the proper installation procedures.

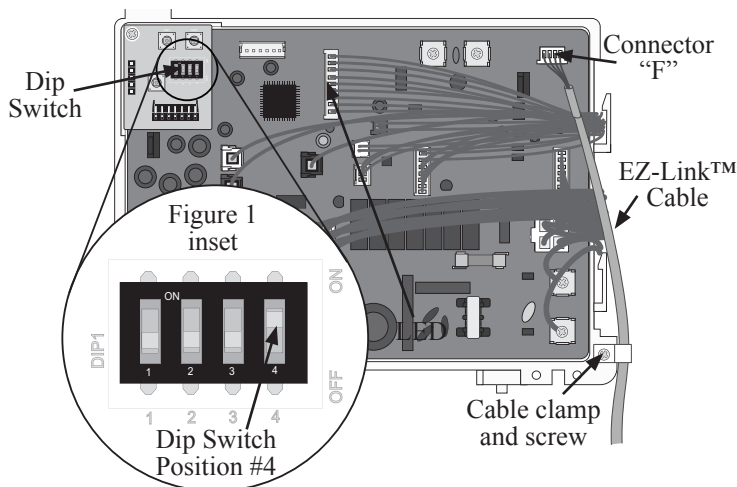
Type 1

EZ-Link™ Installation

Install two tankless water heaters of the same model together in a parallel plumbing application (see Figure 2) and in accordance with the instructions in the Use and Care Manual.

NOTICE: A Remote Control Thermostat is included with each water heater. When using the EZ-Link™ system, only one (1) Remote Control Thermostat is needed. Connect only one (1) remote control to either water heater following the instructions provided in the Use and Care Manual. This water heater will become the main unit. The installed Remote Control Thermostat will control temperature and functionality of both water heaters. Keep the unused remote control as a spare.

Control Board - Figure 1

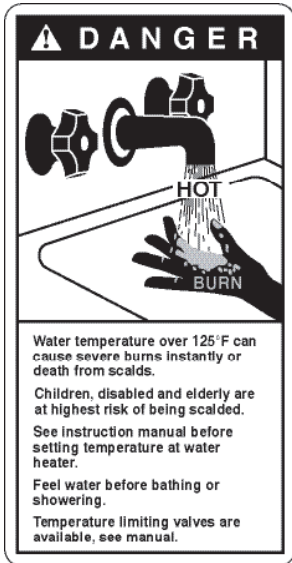
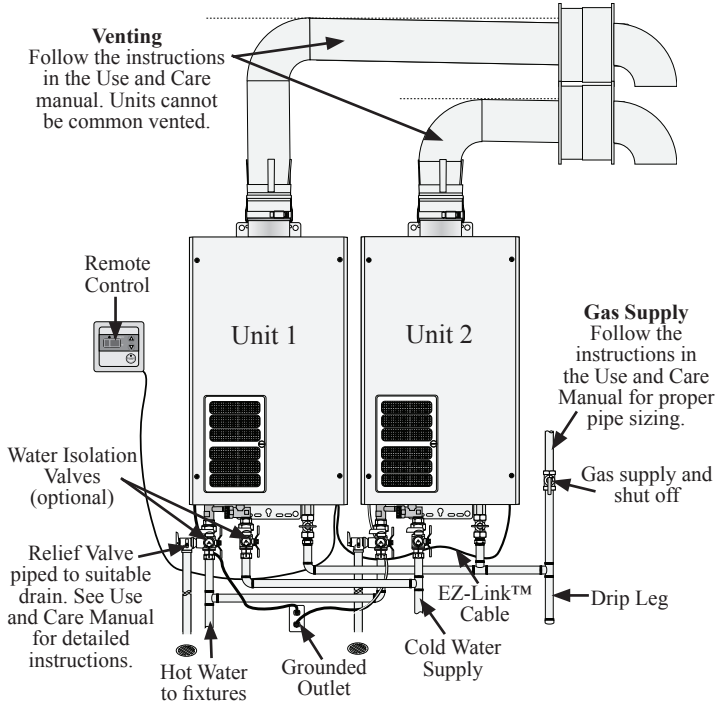


1. Make sure power is disconnected and turn off gas and water to both water heaters, then remove the front cover from each water heater.
2. Feed one end of the EZ-Link™ cable through a grommated hole in the bottom of the first heater.
3. Plug the cable into the connector marked "F" in the upper right-hand corner of the Control Board (see Figure 1). The connector will only fit one way. Press until the connector snaps into place.
4. Secure the EZ-Link™ cable with the clamp and screw provided to the bottom right of the Control Board (see Figure 1).
5. Change the #4 Dip Switch setting to the "ON" position (see Figure 1 inset) on that water heater.
6. Pass the other end of the EZ-Link™ cable through a grommated hole in the bottom of the second water heater.
7. Plug the cable into the connector marked "F" in the upper right-hand corner of the Control Board (see Figure 1). The connector will only fit one way. Press until the connector snaps into place.
8. Secure the EZ-Link™ cable with the clamp and screw provided to the bottom of the Control Board (see Figure 1).
9. Change the # 4 Dip Switch setting to the "ON" position (see Figure 1 inset) on that water heater.
10. Attach the front cover on each unit, and turn on the power, gas, and water.
11. Test the units by turning on a tub or shower fixture.

Notice: The EZ-Link™ System is designed to electronically control two tankless water heaters operating as one. Depending upon the hot water demand, one or both units may be in operation. To test both units, increase the hot water flow by turning on more than one hot water appliance or fixture.

Typical Two Unit Manifold - Figure 2

Review the Use and Care Manual provided with the water heater for complete information and installation instructions.



Danger - Water Temperature Setting
Safety and energy conservation are factors to be considered when selecting the water temperature setting of a water heater's Remote Control Thermostat. Water temperatures above 125°F (52°C) can cause severe burns or death from scalding. Be sure to read and follow the warnings outlined on the label pictured to the left and information in the Use and Care Manual provided with your tankless water heater.

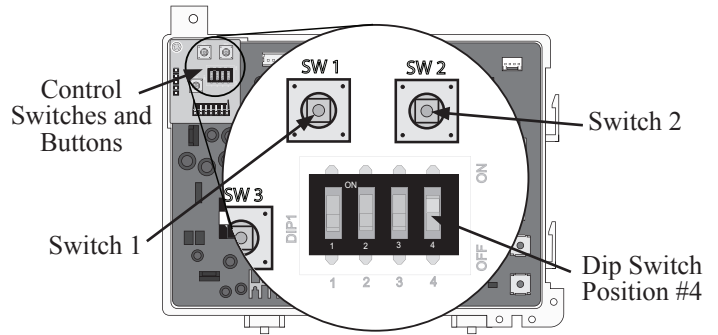
140°F (60°C) Maximum Temperature Adjustment

The factory default temperature setting is 120°F (49°C). Follow these instructions to set the system to allow up to 140°F (60°C) operation. Note: Only the UMC-117 Main Remote Control Thermostat can be used for 140°F (60°C) operation.

1. Turn off the system at the Remote Control Thermostat and remove the front cover from the main water heater.
2. At the main water heater, the one that is wired to the Remote Control Thermostat, change the #4 Dip Switch setting (see Figure 3) to the "OFF" position. Wait two seconds, and change the #4 Dip Switch setting back to the "ON" position. The LED (see Figure 1) on the Control Board and "dashes" on the display of the Remote Control Thermostat (see Figure 4) will begin to blink.

3. While the LED on the Control Board and the "dash" on the Remote Control Thermostat are blinking, push and hold the "SW2" button (see Figure 3) for three seconds. The LED on the Control Board and "dashes" on the display on the Remote Control Thermostat will stop blinking and stay lit for about 10 seconds, then go off.
4. Reinstall the front cover on the water heater and turn on the system using the Remote Control Thermostat and adjust to the desired temperature (see Figure 4).

Dip Switches and Buttons - Figure 3

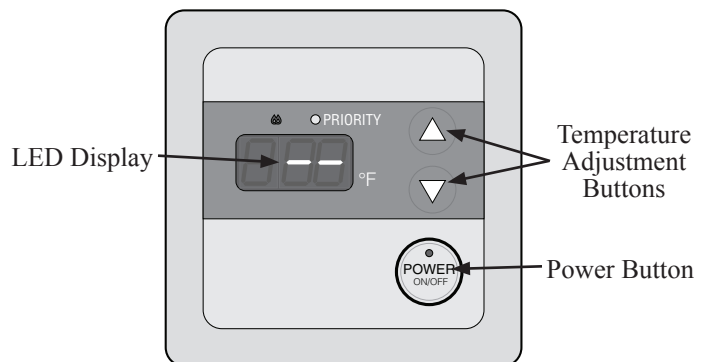


120°F(49°C) Maximum Temperature Reset

Follow these instructions to reset the water heater back to the factory 120°F (49°C) maximum temperature setting.

1. Turn off the system at the remote control and remove the front cover from the main water heater.
2. At the main water heater, the one that is wired to the Remote Control Thermostat, change the #4 Dip Switch setting (see Figure 3) to the "OFF" position. Wait two seconds and turn the #4 Dip Switch setting back to the "ON" position. The LED (see Figure 1) on the Control Board and "dashes" on the display of the Remote Control Thermostat (see Figure 4) will begin to blink.
3. Push and hold the "SW1" button for three seconds. The LED on the Control Board and "dashes" on the display on the Remote Control Thermostat will stop blinking and stay lit for about 10 seconds, then go off.
4. Reinstall the front cover on the water heater and turn on the system using the Remote Control Thermostat and adjust to the desired temperature (see Figure 4).

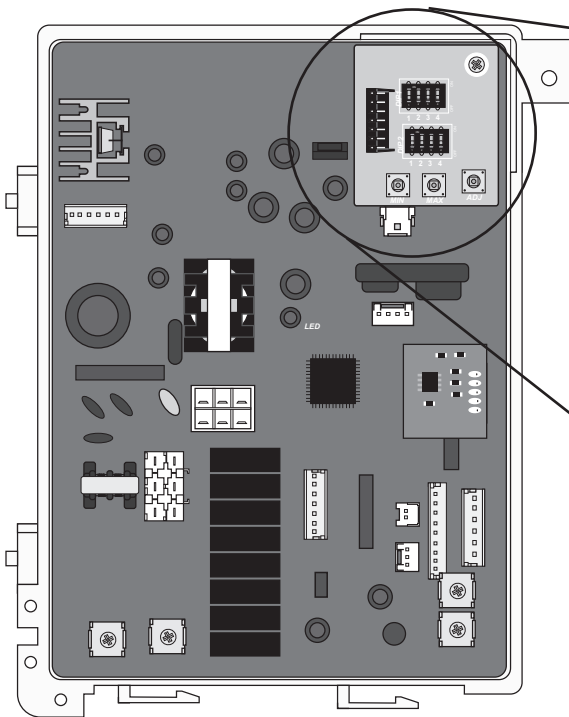
Remote Control Thermostat - Figure 4



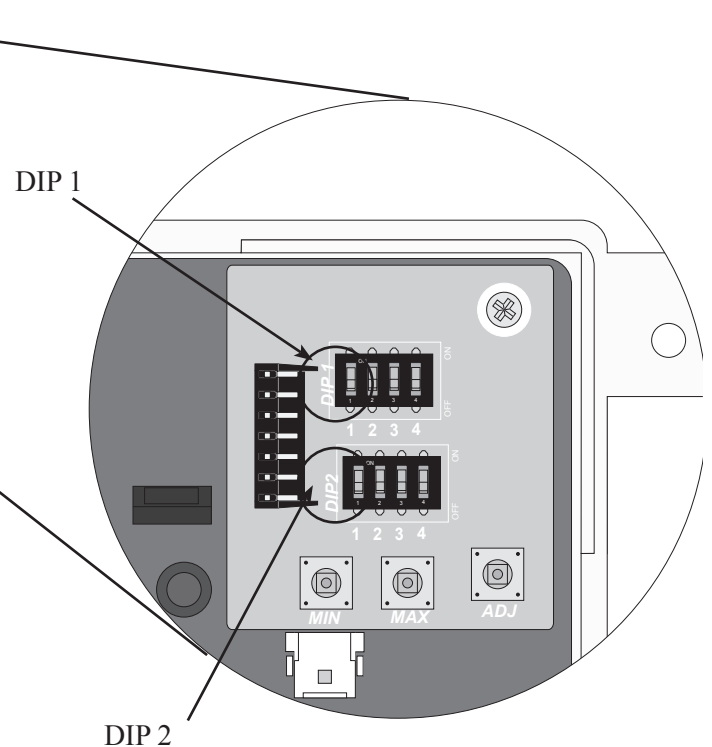
Type 2

EZ-Link™ Installation

1. Make sure power is disconnected and turn off gas and water to both water heaters, then remove the front cover from each water heater.
2. Feed one end of the EZ-Link™ cable through a grommeted hole in the bottom of the first heater.
3. Plug the cable into the connector marked “F” on the right of the Control Board (see Figure 5). The connector will only fit one way. Press until the connector snaps into place.
4. Find DIP1 Switches in the upper right-hand corner of the Control Board (see Figures 5 and 6).
5. Change the #4 Dip Switch setting on the DIP1 Switches to the “ON” position on the first water heater.
6. Pass the other end of the EZ-Link™ cable through a grommeted hole in the bottom of the second water heater.
7. Plug the cable into the connector marked “F” on the right of the Control Board (see Figure 5). The connector will only fit one way. Press until the connector snaps into place.
8. Find DIP1 Switches in the upper right-hand corner of the Control Board (see Figures 5 and 6).
9. Change the #4 Dip Switch setting on the DIP1 Switches to the “ON” position on the second water heater.
10. Attach the front cover on each unit and turn on the power, gas and water.
11. Test the units by turning on a tub or shower fixture.



Control Board - Figure 5



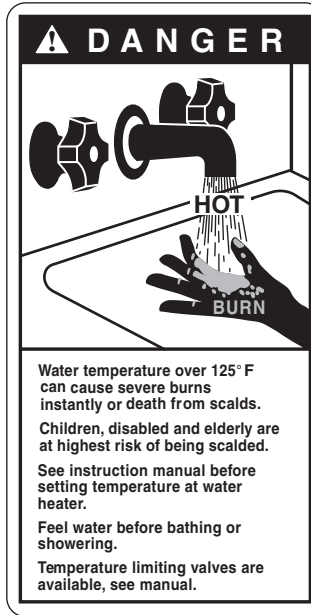
Dip Switches and Buttons - Figure 6

140°F (60°C) Maximum Temperature Adjustment

The factory default temperature setting is 120°F (49°C). Follow these instructions to set the system to allow up to 140°F (60°C) operation.

Note: Only the UMC-117 Main Remote Control Thermostat can be used for 140°F (60°C) operation.

DO NOT execute the following adjustment if the setting of up to 140°F (60°C) is not required.



Danger - Water Temperature Setting
Safety and energy conservation are factors to be considered when selecting the water temperature setting of a water heater's Remote Control Thermostat. Water temperatures above 125°F (52°C) can cause severe burns or death from scalding. Be sure to read and follow the warnings outlined on the label pictured to the left and information in the Use and Care Manual provided with your tankless water heater.

This adjustment is intended for use by qualified installation/service personnel ONLY.

1. Turn on the remote control. Turn off the gas and water shutoff valve.
2. Press the UP arrow temperature adjustment button on the remote control (see Figure 4) for several times and set the temperature at 120°F (49°C).
3. Press and hold the UP button on the remote control for more than 5 seconds. Number (120) on the display of the remote control will begin to blink.
4. While the number is blinking, push the UP arrow temperature adjustment button and the DOWN arrow temperature adjustment button at the same time (see Figure 4). The display of the remote control will show "140".
5. Push the UP or the DOWN button to set desired temperature.
6. Turn on the gas and water shutoff valves
7. Check and ensure safe operation and performance of the water heater.

120°F (49°C) Maximum Temperature Reset

Follow these instructions to reset the water heater back to the factory default 120°F (49°C) maximum temperature setting.

1. Turn on the remote control. Turn off the gas and water shutoff valve.
2. Press the DOWN arrow temperature adjustment button on the remote control (see Figure 4) for several times and set the minimum setting temperature ((100°F (38°C) or 85°F(29°C)).
3. Press and hold the DOWN button on the remote control for more than 5 seconds. Number on the display of the remote control will begin to blink.
4. While the number is blinking, push the DOWN arrow temperature adjustment button and the UP arrow temperature adjustment button at the same time (see Figure 4). Number of the display of the remote control will stop blinking.
5. Push the UP or the DOWN button to set desired temperature.
6. Turn on the gas and water shutoff valves
7. Check and ensure safe operation and performance of the water heater.